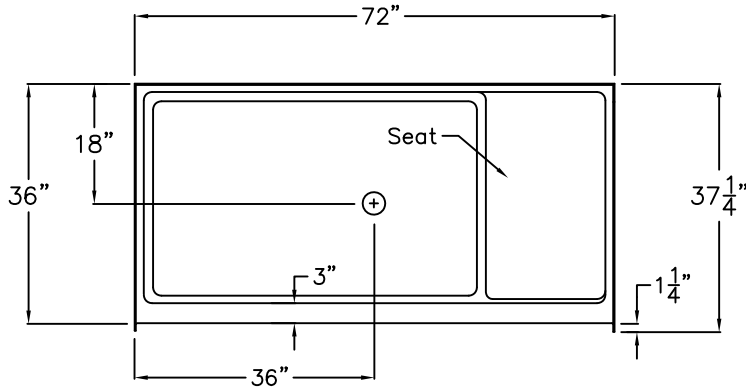


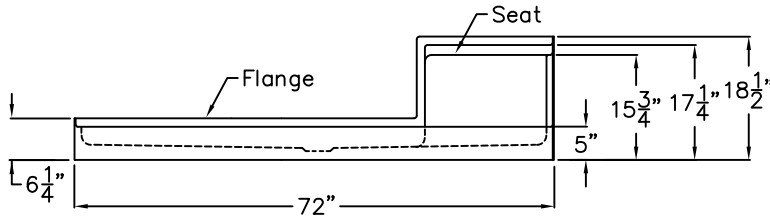
Comfort Series

SUBMITTAL DATA

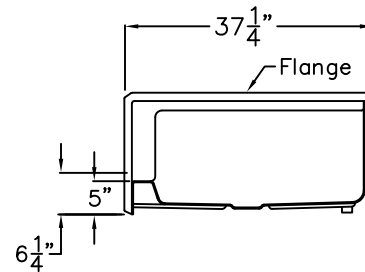
TOP VIEW



FRONT VIEW



SIDE VIEW



Shower Pan

This shower pan shall be Praxis Model G 7236 SH 1S right or left. Finished surface shall be of sanitary-grade applied acrylic. The unit shall have outside dimensions of 72" x 37 1/4" x 18 1/2". The unit shall meet IAPMO Z124-2011, and CSA B45.5-11.

The enclosure shall be equipped with the following factory installed accessories:

- 1) Center drain location,
- 2) Molded seat left or right,
- 3) 1 1/4" mounting flange,
- 4) 5.0" threshold. .

DUE TO THE NATURE OF THE MATERIALS INVOLVED
UNIT DIMENSIONS MAY VARY ± 1/2 INCH

Job Name:	PRAXIS	
Approved By Print Name:	Drawing#: G 7236 SH 1S 5.0 PAN	
Approved By Signature:	Date:	Date: 8-25-14 Revised: 11-16-16
Rep.:	Wholesaler:	Quote No.

PRAXIS INDUSTRIES, INC.
ROUTE 1, BOX 46D - SAVANNAH, TN 38372
1 (800) 443-7269 - FAX (901) 925-4290