

Multi-piece Showers

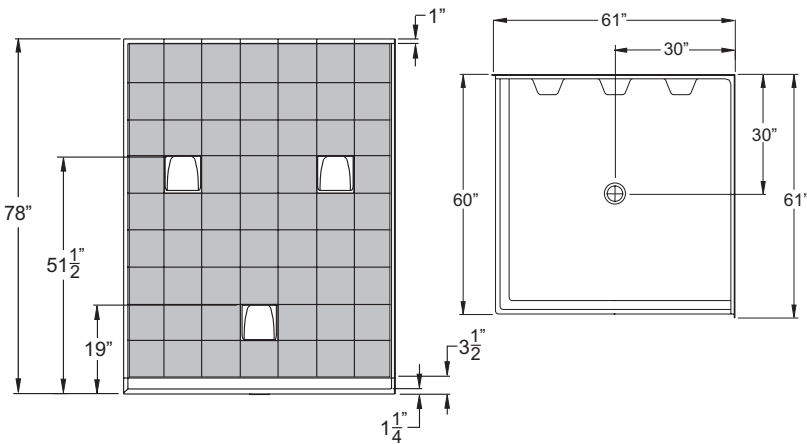
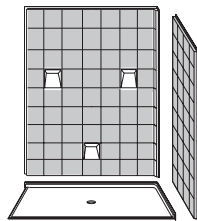
MP 6060 BF DE 3P 1.25 C



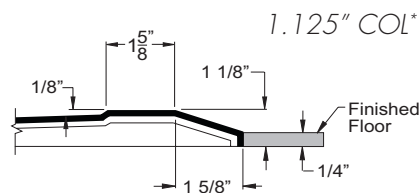
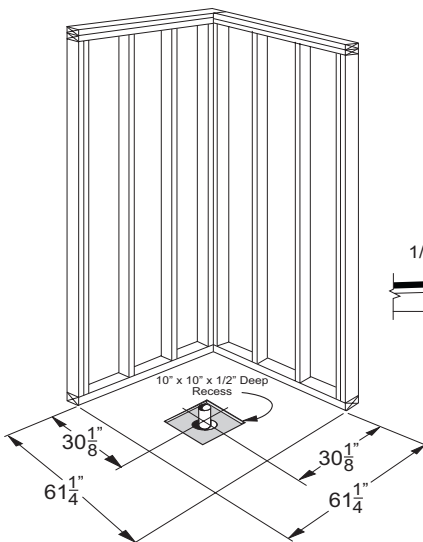
Barrier Free
Threshold



Gelcoat
Finish



gray shading represents wood backing



OUTER DIMENSION	61" x 61" x 78"
ENCLOSURE (up to)	57.75" x 57.75" x 72.5"
THRESHOLD	1.25" COL*
DRAIN	Center
HANDED	Drain
SHIPPING WEIGHT	442
LOAD FACTOR	2.4
TRUCK LOAD FACTOR	2.4

NOTES

*COL Change of level threshold has a manageable 0.25" vertical rise to easily coordinate with minimum finished flooring.

CODES IPC, UPC, ANSI Z 124.2 NAHB, HUD and FHA.

EasyBase™ Self-supporting and pre-levelled shower base, EasyBase™, is standard on all barrier free multi-piece showers. EasyBase™ is not offered on EasyStep™ models.

WOOD BACKING All multi-piece showers are offered standard with plywood reinforced walls.

RAPID SHIP All multi-piece showers are in stock for rapid shipment - ships in four business days.

WARRANTY All multi-piece showers are offered with an unprecedented thirty year limited warranty.



Empowering People Of All Ages & Abilities
The Praxis Companies, LLC | Praxis Makes Perfect
800.443.7269 | praxiscompanies.com